

CUP17AT-1WMC

Summary

CUP17AT-1WMC is a constant current mode output LED driver. This driver can be controlled by external signal Phase-Cut ,0-10V to achieve a smooth dimming effect.

Product Feature

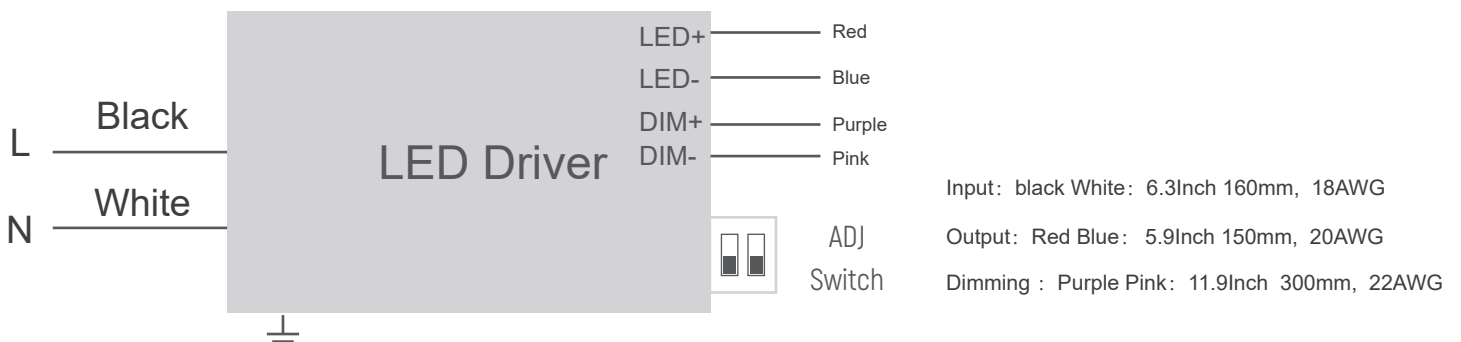
- Comply With UL8750/CSA-22.2 No.250.13 Safety Regulations
- All material to be ROHs compliant to Directive 2011/65/EU and (EU)2015/863
- Class P, Class 2
- 5 Years Warranty (Life expectancy of 50,000h at $t_c \leq 75^\circ\text{C}$ (167°F))
- Comply With FCC Part15 Class B (@120Vac input Voltage)
- Output Power(Current) Adjustable



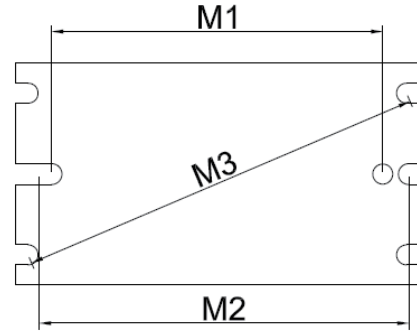
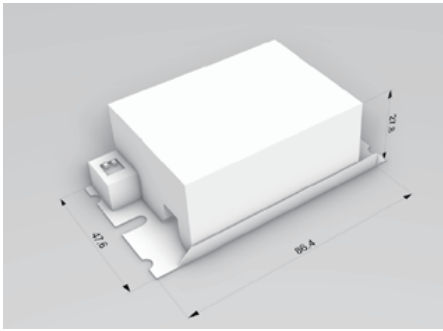
Technical Parameters

Model	CUP17AT-1WMC	
Input	Efficiency	$\geq 84\%$ @120 $\geq 82\%$ @277VAC
	Voltage	120-277VAC
	Power Factor	> 0.95 @120V > 0.90 @277V
	THD(full load)	$< 20\%$
	AC Current	0.17A (120VAC) 0.08A (277VAC)
	Inrush Current(max)	Max 30A
Output	Current(mA)	400/350/300/250mA 30-42VAC
	Dimming Type	0-10V and Triac (120V 60Hz only)
Function	Dimming Range	10%-100% @120-277Vac(0-10V Dimming)
	Flicker Percentage	$< 30\%$, comply with CEC Title 20
	Surge	IEEE C62.41 2.5kV Ring Wave
Safety & EMC	Withstand Voltage	I/P-0/P.I/P-FG: (2U+1000Vac)/5mA/1min, O/P-FG: 500Vac/5mA/1min
	Safety Standards	UL 8750-LED equipment for use in lighting product CSA C22.2 No.250.13-LED equipment for lighting applications
	Lifetime	50,000h at $t_c \leq 75^\circ\text{C}$ (167°F)
Others	Material	metal
	Dimension	3.4x1.9x1.1 Inch 86.4*47.6*27.8mm(L*W*H)
	Packing(weight)	Net weight: 190g (0.42 lb) $\pm 5\%$ /PCS
	IP Rating	IP20
	Working Temp.	-20°C - 40°C (-4°F - 104°F)
	Storage Temp., Humidity	-40°C - 55°C (-40°F - 131°F)
	Switch Cycle	$> 25,000$ times
	Warranty Condition	5 years

Wiring Diagram



Dimension(mm)



Enclosure	Case Total Length	Case Width	Case Height	Weight
(in./mm)	3.4/86.4	1.9/47.6	1.1/27.8	0.40/165

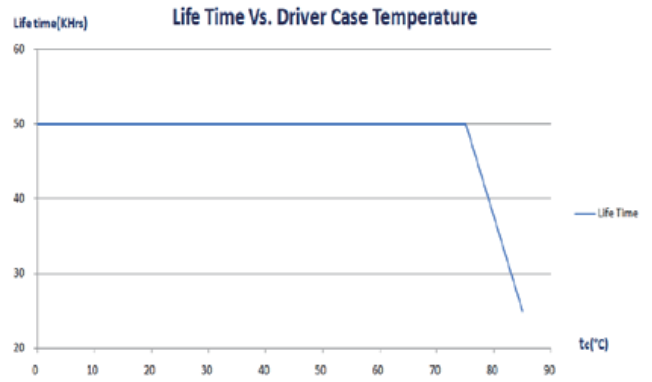
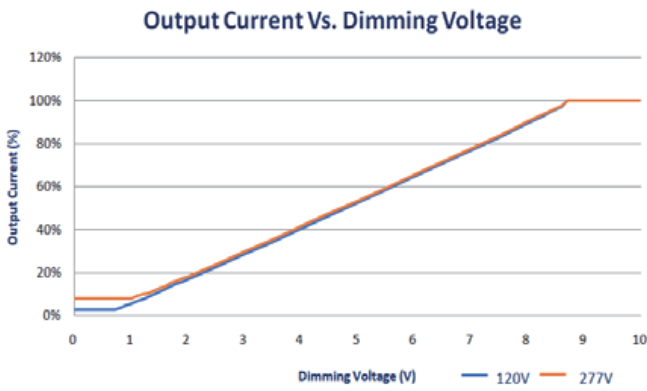
Mounting Length	M1	M2	M3
(in./mm)	2.8/70.9	3.24/82.2	3.5/88.2

0-10V Dimming Curve

Minimum dim level: 10% of Iout

Maximum output voltage on the dimming wires: 10V

Driver Lifetime Curve



nameplate

104100540101

AC Input CUP17AT-1WMC

- L (Black)
- N (White)

Uin: 120-277Vac 50/60Hz
Iin: 0.16A Max Pin: 22WMax
PF: >0.9
Uout: 30-42Vdc Iout: 0.4A
Pout: 17W ta: 40°C
Triac&0-10V Dimming Control
Type HL

DC Output

- LED+ (Red)
- LED- (Blue)

Dimming

- DIM+ (Purple)
- DIM- (Pink)

ClassP Class2
Output Type-CC

For Connections Use Wire Rated for at Least 90°C (194°C);
Pour les connexions, Utilisez des conducteurs D'alimentation convenant 90°C
Use only within an enclosure; Doit être installé dans Une enceinte

Dry and Damp locations, Wire control circuits isolated
CAUTION: Case must be grounded
Disconnect line voltage before Installing or replacing
WARNING: Risk of Fire or Electric Shock
Do not interconnect output terminations.

Cautions

1. This product should be installed by qualified personnel.
2. This product is non waterproof, need to avoid sun and rain. In case of outdoor use, please ensure it is mounted in a water proof enclosure.
3. Good heat dissipation conditions extend product life. Please install the product in a well-ventilated environment.
4. Please make sure LED power supply output voltage, current is used to meet the product requirements.
5. Please ensure that adequate sized cable is used from the controller to the LED lights to carry the current. Please also ensure that the cable is secured tightly in the connector.
6. In case of malfunction, do not repair it yourself.