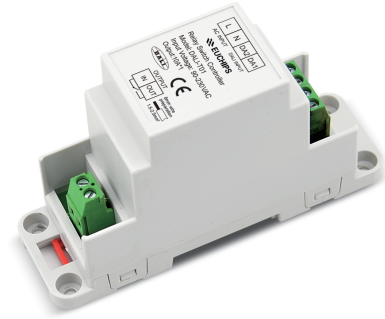


DALI-T01

Product features

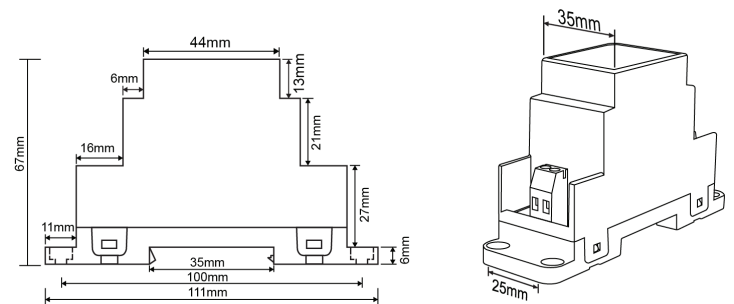
- Follow DALI IEC62386 standard protocol
- The maximum current of a single channel is 10A
- Wide voltage supply
- Connected to DALI Bus, occupies 1 address, the address can be changed
- Support grouping, scene editing,
- Support two mounting modes: guide rail and screw fixation



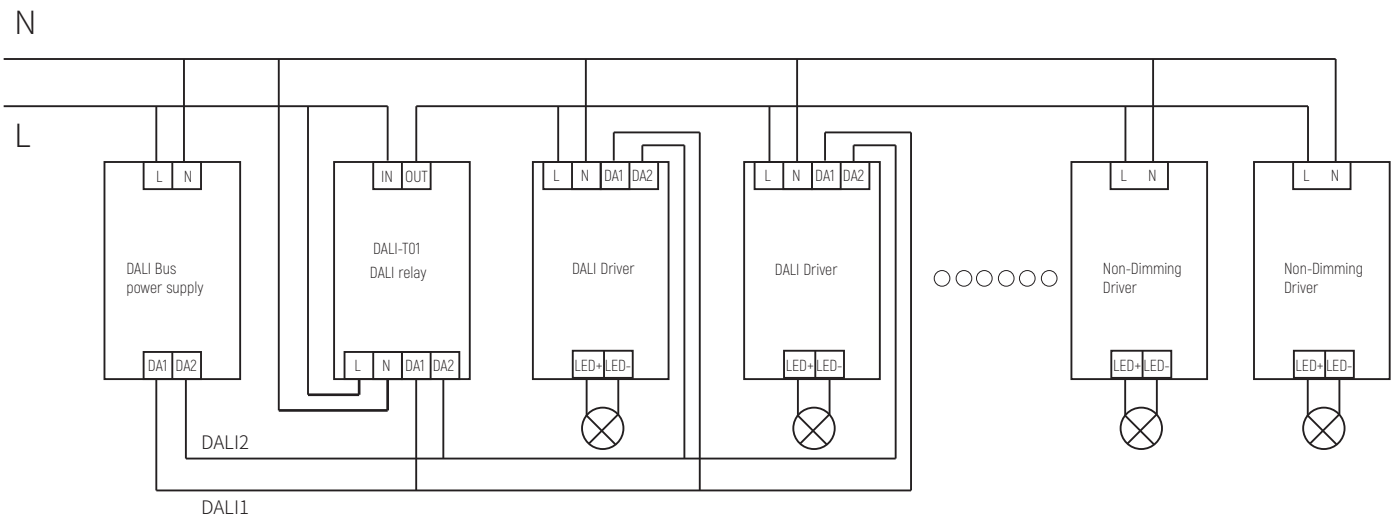
The equipment parameters

model	DALI-T01
The input voltage	90-240 v AC
Input frequency	50/60Hz
Maximum switching current	10A
Communication protocol	Standard DALI Agreement
The equipment size	111*35*67mm [L * W * H]
Packing size	353*234*232mm [I * W * H]
Gross weight	110g
Working temperature	- 20 °C, 50 °C
Relative humidity	20-90%RH

External dimension (mm)



Applied wiring diagram



DALI-T01

产品特点

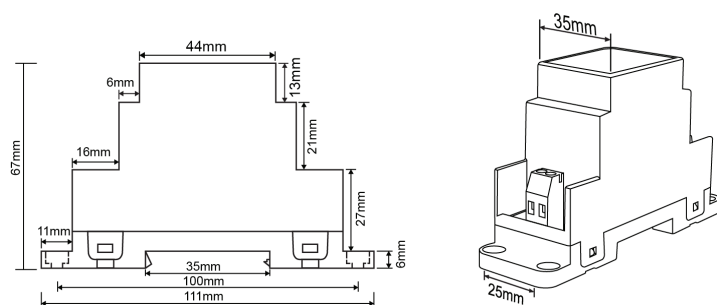
- 遵循DALI IEC62386 标准协议
- 单通道最大支持10A电流
- 宽电压供电
- 可接在DALI总线上, 占1个地址, 地址可更改
- 支持分组、场景编辑,
- 支持导轨式和螺丝固定两种安装方式



设备参数

型号	DALI-T01
输入电压	90—240V AC
输入频率	50/60Hz
最大开关电流	10A
通讯协议	标准DALI协议
设备尺寸	111*35*67mm (长*宽*高)
包装尺寸	353*234*232mm (长*宽*高)
毛重	110g
工作温度	-20°C--50°C
相对湿度	20-90%RH

外观尺寸 (mm)



N

