

## PUP40D-1WMC-1200

### Summary

PUP40D-1WMC-1200 is a constant current output mode LED driver. Support DALI dimming function, Touch DIM (Push DIM) function. The output and dimming circuit are also completely in accordance with the new regulations with isolation to ensure the users and luminaire system during installation.

### Product Features

- Single channel output, output current level selectable by DIP S.W.
- Support DALI dimming function, Touch DIM (Push DIM) function
- Input voltage of 120VAC ~ 277VAC
- Dimming range: 0.1-100%, Dimming effect smooth, no flicker
- Protections: Short circuit, Over load, Over voltage
- Suitable for indoor LED lighting application



Class p  
Class 2



### Application

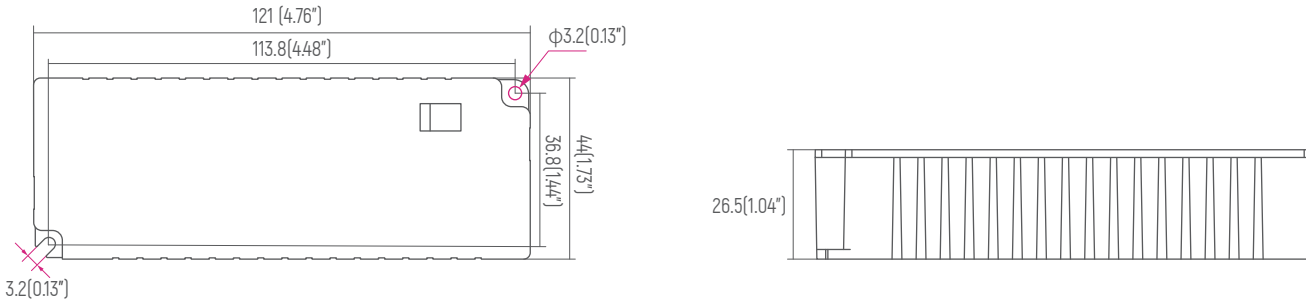


### Technical Parameters

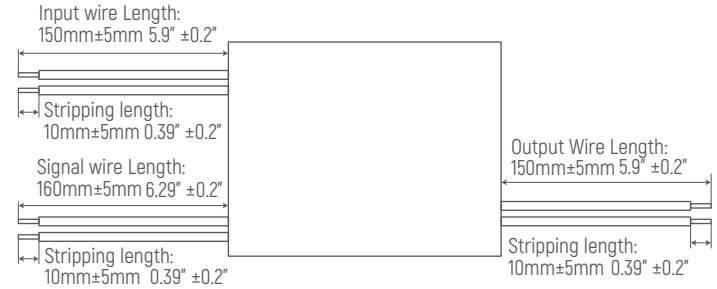
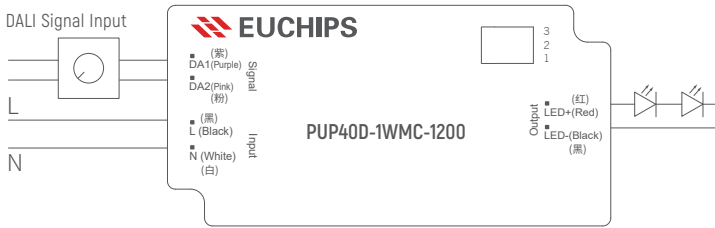
Model	PUP40D-1WMC-1200					
Output	Current/Voltage/Power	850mA/9-42V/35.7W 900mA/9-42V/37.8W	950mA/9-42V/39.99W 1000mA/9-40V/40W	1050mA/9-38V/39.9W 1100mA/9-36V/39.6W	1150mA/9-34V/39.1W 1200mA/9-33V/39.6W	
	Channel	1				
	No load output voltage	58V Max				
	Frequency	1KHz Min PWM				
	Current Accuracy	±5%				
	LF current ripple(<120Hz)	<3%				
Input	Voltage	120VAC-277VAC				
	Frequency	50/60Hz				
	Efficiency	>87%@120VAC, Full load				
	PF	≥0.99@120VAC, Full load				
	THD(full load)	<10%@120VAC, Full load				
	Current	0.6Amax@120VAC				
	Inrush Current	Cold start,30A@120VAC				
	Standby Power	<1W				
Protection	Over Voltage	Hiccup, recovers after fault condition is removed				
	Over load	Hiccup, recovers after fault condition is removed				
	Short circuit	Close output, recovers automatically after fault removed				
Safety & EMC	Surge	L-N:1KV				
	Withstand Voltage	I/P-O/P: 3000VAC/1min/5mA; I/P-Gnd: 1500VAC/1min/5mA; O/P-Gnd: 500VAC/1min/5m				
	Safety standards	UL8750/UL1310/CSA25013,CSA class P				
	EMI Eission	EN55015,EN61000-3-2 Class C,IEC61000-3-3				
	EMC Immunity	FCC class B(120V)/class A(277V)				
Function	Dimming type	DALI/Touch DIM (Push DIM)				
	Dimming range	0.1%-100% Dimming to off				
Others	Dimension	121*44*26.5mm(4.76*1.73*1.04)[L*W*H]				
	Pack Information	Net weight: 217g(0.47 lb)±5%/PCS; 50PCS/Carton; 11.35kg (25 lb)±5%/Carton; Carton Size:286x239x194mm (11.25*9.4*7.63)[L*W*H]				
	IP rating	IP20				
	Working temp.	-20°C-50°C(-4°F-122°F)				
	tc	90°C (194°F)				
	Relative humidity	20-90% RH				
	Lifetime	50,000h@tc:85°C(185°F)				
	Material	PC				
Switch cycle	>25,000 times					

Remark: Use only within an enclosure

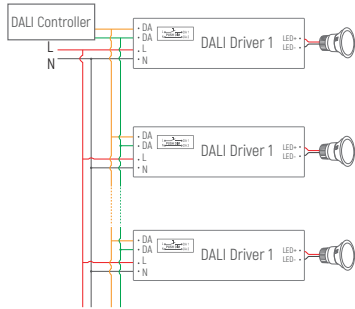
**Dimension(mm)**



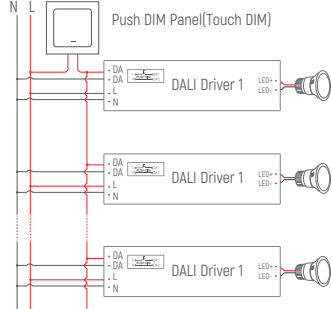
**Wiring Diagram**



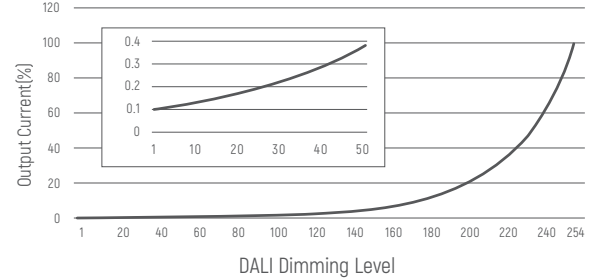
**DALI Diagram**



**Touch DIM(Push DIM) Diagram**



**Dimming Curve**



Remark: Only use open push button without indicator light. Maximum cable length between each Unit: 20 meters.

**Push DIM Function**

1. Press the Touch DIM (Push DIM) switch for 8s or more, the driver can be controlled via Push DIM switch.
2. Short press the Touch DIM (Push DIM) switch (<0.5s) to control the lamp on or off.
3. Long press the Touch DIM (Push DIM) switch (>0.5s) to dim the brightness of light. The dimming direction will change every time after pressing switch.
4. Double-click the Touch DIM (Push DIM) switch (<0.3s), then all lamps connected on the device will be set maximum brightness.
5. The brightness adjustment range is 1%-100%, and the light can be turned off through short pressing when doing the adjustment with long pressing Push DIM switch.
6. With the Power off memory function, the power-down state will be recovered when power on again.

**Current Selection Table**

PUP40D-1WMC-1200 is a multi-current dimming driver, output current level selectable by DIP S.W., as the following:

ON	OFF	1	2	3	4	5	6	7	8	9	10	11	12	13	14	15	16	17	18	19	20	
		850mA	900mA	950mA	1000mA	1050mA	1100mA	1050mA	1200mA													
		9-42V	9-42V	9-42V	9-40V	9-38V	9-36V	9-34V	9-33V													

Remark: Function default setting is: 850mA (@switch are all OFF state)

- Type HL • Class P • Output type-CC
- Dry and Damp location • Class 2
- Ground enclosure in installation
- For Connections Use Wire Rated for at Least 90 °C (194°F)
- Wired control Circuits Isolated, Use only within an enclosure
- More than one power supply present

**Caution/prudence**

Keep away from heat flammable materials  
 Install properly for better heat dissipation  
 Please do not touch during operation  
 Tenir à l'écart des matériaux inflammables sous forme de chaleur  
 Installer correctement pour une meilleure dissipation de la chaleur  
 S'il vous plaît ne pas toucher pendant le fonctionnement

**Cautions**

1. This product should be installed by qualified personnel.
2. This product is non waterproof, need to avoid sun and rain. In case of outdoor use, please ensure it is mounted in a water proof enclosure.
3. Good heat dissipation conditions extend product life. Please install the product in a well-ventilated environment.
4. Please make sure LED power supply output voltage, current is used to meet the product requirements.
5. Please ensure that adequate sized cable is used from the controller to the LED lights to carry the current. Please also ensure that the cable is secured tightly in the connector.
6. Due to safety concerns, PVC or rubber cord of 0.75-2.5mm<sup>2</sup> is recommended for input and output terminal(s) (excluding signal terminals). Flat power cord is not suitable. Ensure all wire connections and polarities are correct before applying power to avoid any damages to the LED lights.
7. In case of malfunction, do not repair it yourself.