

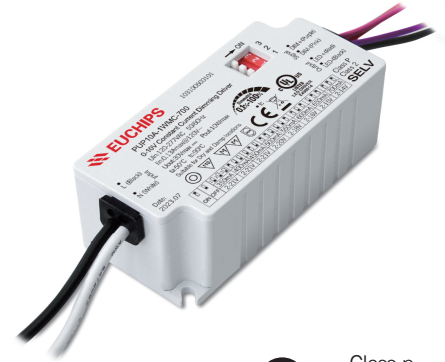
## PUP10A-1WMC-700

### Summary

PUP10A-1WMC-700 is a constant current output mode LED driver. The output and dimming circuit are also completely in accordance with the new regulations with isolation to ensure the users and luminaire system during installation.

### Product Features

- Single channel output, output current level selectable by DIP S.W.
- Support 3-in-1 dimming mode:0-10V active signal, adjustable resistance, PWM(A model)
- Input voltage of 120VAC ~ 277VAC
- Dimming range: 0.1-100%, Dimming effect smooth, no flicker
- Protections: Short circuit, Over load, Over voltage
- Suitable for indoor LED lighting application



Class p  
Class 2

**SELV**

### Application



Downlight

Panel Light

Spotlight

Ceiling Light

Decorative Light

Floor Light

Track Light

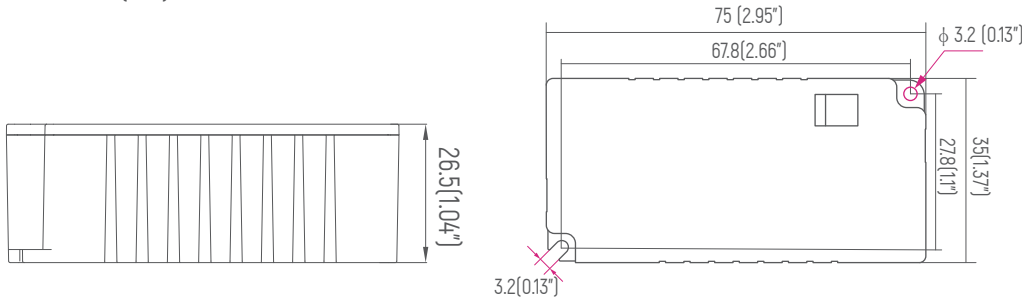
Flood Light

### Technical Parameters

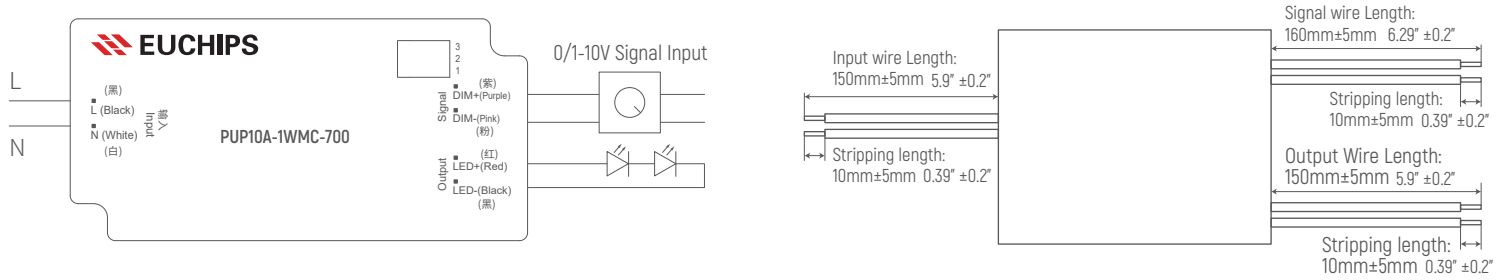
Model	PUP10A-1WMC-700					
Input	Efficiency	78%@120VAC, Full load				
	Frequency	50/60Hz				
	Voltage	120VAC-277VAC				
	PF	0.98@120VAC, Full load				
	THD(full load)	<10%@120VAC, Full load				
	Current	0.13Amax@120VAC				
	Inrush Current	Cold start,30A@120VAC				
	Standby Power	<1W				
Output	Current/Voltage/Power	350mA/2-21V/7.35W 400mA/2-21V/8.4W	450mA/2-21V/9.45W 500mA/2-20V/10W	550mA/2-18V/9.9W 600mA/2-16V/9.6W	650mA/2-15V/9.75W 700mA/2-14V/9.8W	
	Channel	1				
	No load output voltage	58V Max				
	Frequency	1KHz Min PWM				
	Current Accuracy	±5%				
	LF current ripple(<120Hz)	<3%				
Protection	Over Voltage	Hiccup, recovers after fault condition is removed				
	Over load	Hiccup, recovers after fault condition is removed				
	Short circuit	Close output, recovers automatically after fault removed				
Safety & EMC	Surge	L-N:1KV				
	Withstand Voltage	I/P-O/P: 3000VAC/1min/5mA; I/P-Gnd: 1500VAC/1min/5mA; O/P-Gnd: 500VAC/1min/5m				
	Safety standards	UL8750/UL1310/CSA25013,CSA class P				
	EMI Eission	EN55015,EN61000-3-2 Class C,IEC61000-3-3				
	EMC Immunity	FCC class B(120V)/class A(277V)				
Function	Dimming type	0-10V(Type A)				
	Dimming range	0.1%-100% Dimming to off				
Others	Dimension	75*35*26.5mm(2.95*1.37*1.04Inch)(L*W*H)				
	Pack Information	N.W: 96g(0.21 lb)±5%/PCS; 100PCS/Cartron; 10.1kg(22 lb)±5%/Cartron; Cartron Size: 398x210x208mm(15.6*8.26*8.18 Inch)(L*W*H)				
	IP rating	IP20				
	Working temp.	-20°C -50°C(-4°F-122°F)				
	tc	90°C (194°F)				
	Relative humidity	20-90% RH				
	Lifetime	50,000h@tc:85°C(185°F)				
	Material	PC				
Switch cycle	>25,000 times					

Remark: Use only within an enclosure

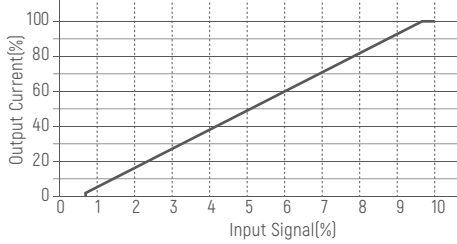
Dimension mm (Inch)



Wiring Diagram



Dimming Curve



Current Selection Table

PUP10A-1WMC-700 is a multi-current dimming driver, output current level selectable by DIP S.W., as the following:

ON	OFF	1	2	3	4	5	6	7	8	9	10
		350mA	400mA	450mA	500mA	550mA	600mA	650mA	700mA		
		2-21V	2-21V	2-21V	2-20V	2-18V	2-16V	2-15V	2-14V		

Remark: Function default setting is: 350mA (@switch are all OFF state)

Type HL • Class P • Output type-CC

Dry and Damp location • Class 2

Ground enclosure in installation

For Connections Use Wire Rated for at Least 90 °C (194°F)

Wired control Circuits Isolated, Use only within an enclosure

More than one power supply present

**Caution/prudence**

Keep away from heat flammable materials  
 Install properly for better heat dissipation  
 Please do not touch during operation  
 Tenir à l'écart des matériaux inflammables sous forme de chaleur  
 Installer correctement pour une meilleure dissipation de la chaleur  
 S'il vous plaît ne pas toucher pendant le fonctionnement

Cautions

- 1.This product should be installed by qualified personnel.
- 2.This product is non waterproof, need to avoid sun and rain.In case of outdoor use, please ensure it is mounted in a water proof enclosure.
- 3.Good heat dissipation conditions extend product life.Please install the product in a well-ventilated environment.
- 4.Please make sure LED power supply output voltage, current is used to meet the product requirements.
- 5.Please ensure that adequate sized cable is used from the controller to the LED lights to carry the current. Please also ensure that the cable is secured tightly in the connector.
- 6.Due to safety concerns, PVC or rubber cord of 0.75-2.5mm<sup>2</sup> is recommended for input and output terminal(s) (excluding signal terminals). Flat power cord is not suitable.Ensure all wire connections and polarities are correct before applying power to avoid any damages to the LED lights.
- 7.In case of malfunction, do not repair it yourself.