

## EUA-T0110

### Product Feature

This product is mainly used for thyristor dimming power supply, with 0-10V analog signal control of the product  
The output is 220V 50Hz or 110V 60Hz to drive the thyristor power supply to achieve easy dimming product wiring and simple control

### Product Feature

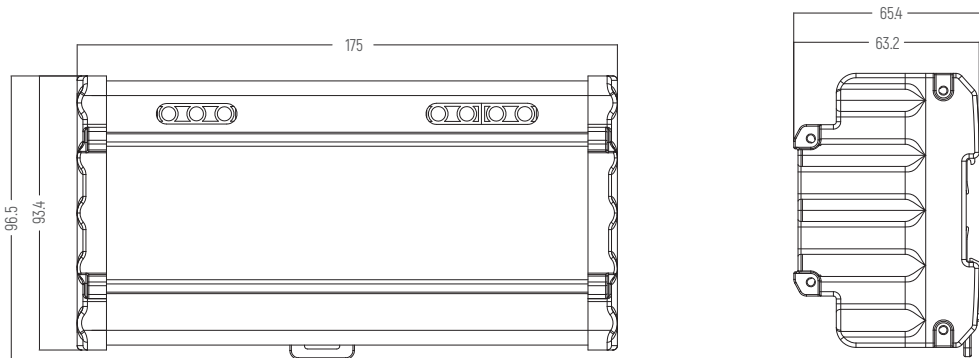
- 0-10V analog signal control 220V 50Hz or 110V 60Hz tangential output
- Output single AC front cutting or back cutting, maximum output current 10A
- Standard 35mm guide housing for easy installation
- Can dimmer incandescent lamps, halogen lamps, LED thyristor dimming lamps or power supplies



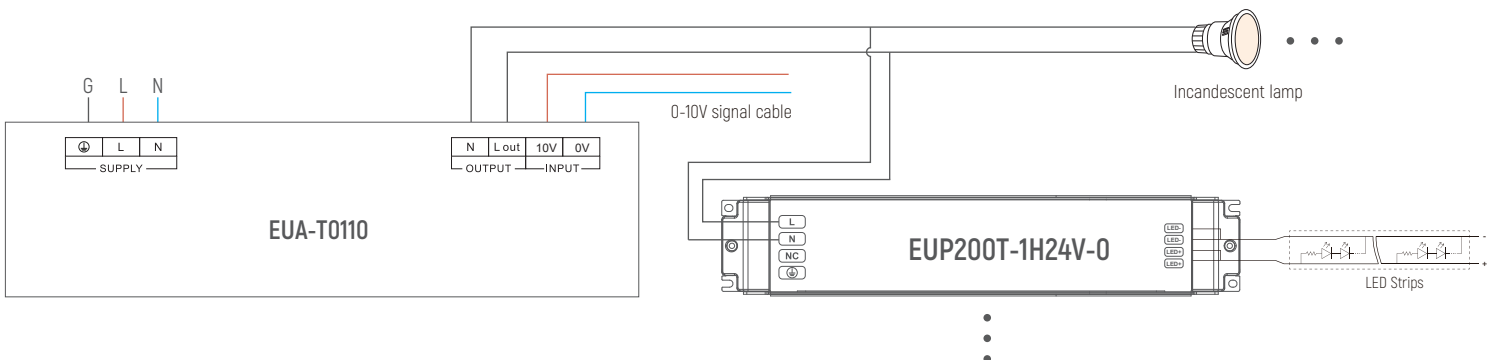
### Technical Parameters

<b>Model</b>	<b>EUA-T0110</b>	
<b>Input</b>	0-10V	Analog signal
	1-10V	Analog signal
	AC 220V 50Hz / 110V 60Hz	Alternating current voltage AC 220V 50Hz / 110V 60Hz
<b>Output</b>	AC 220V 50Hz / 110V 60Hz	10A front tangent or back tangent
	Channel	1
<b>Dimming mode</b>	Dip switch 1	Dip switch 1 does not turn green when the light is on. Dip switch 1 turns blue when the light is on, the light is dimmed when the light is on
	Dip switch 2	Dip switch 2 does not dial 1-10V dimmer, and DIP switch 2 turns 0-10V dimmer
<b>Others</b>	Working Temp.	-20 C ~50 C
	Storage Temp.; Humidity	-40 C ~85 C , 20-90%RH
	Net weight	220g
	Dimension	175*93.4*63.2mm(L*W*H), Standard 35mm rail mounting

### Dimension(mm)



### Wiring Diagram



※The contents of this manual are updated without prior notice. If the function of the product you are using is inconsistent with the instructions, the function of the product shall prevail. Please contact us if you have any questions.