

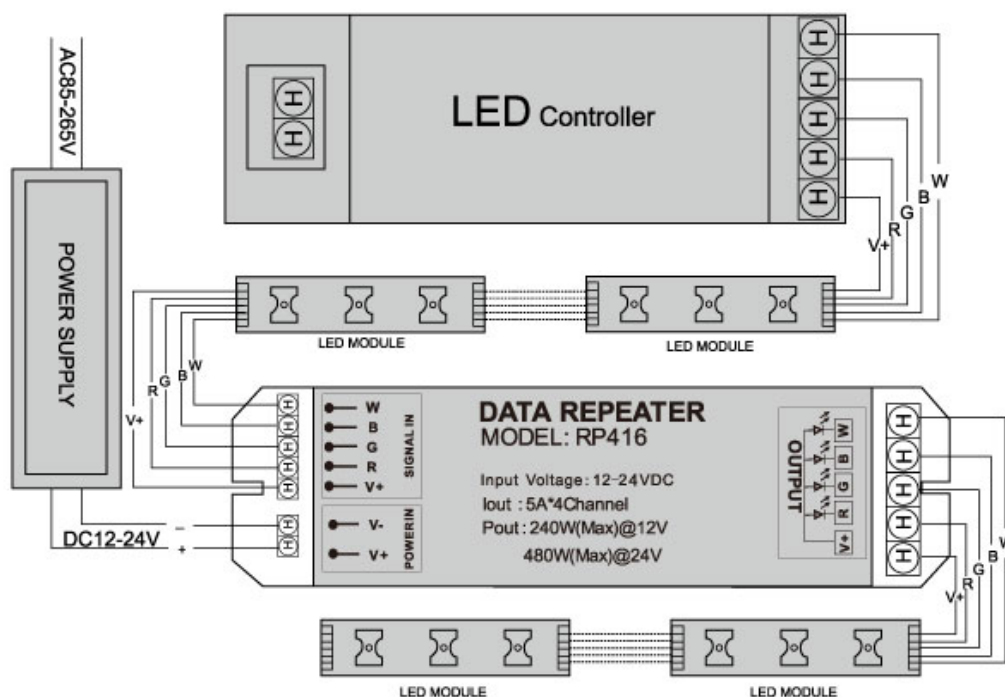
## Features:

- Applied to power repeat of synchronous changing signal;
- 4 channel RGB control , the max current of each channel up to 5 A;
- Accepts PWM control;
- Be used to kinds of LED modules;
- Theoretically we can connect limitless LED modules by connecting the repeaters in series.

## Product Specification:

Input Power	DC 12-24V
Input/output channels	4
Output power	240W@12V/480W@24V
Size	168(L)X51(W)X22(H) mm
Weight	120g

## Wire Connections:



## Remark:

- ① Can connect various single color modules and RGB+W modules with the common anode.
- ② Can connect 200 pieces of RGB+W modules or 800 pieces of single color modules, or a number of high power LED lamps (according to the connection method).

# 4 通道通用功率放大器

# RP416

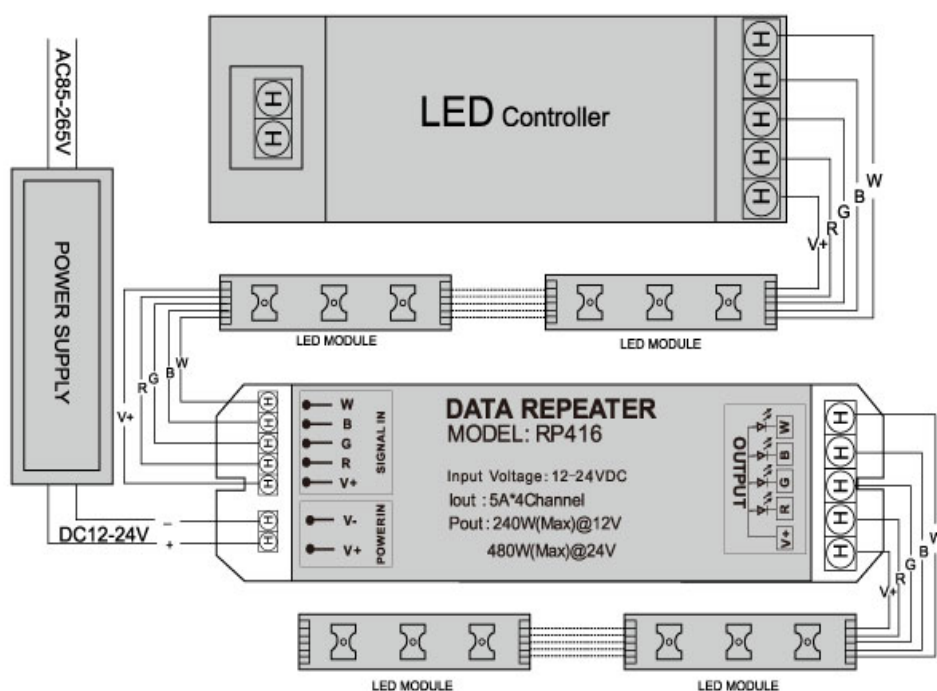
## 产品特性:

- 用于同步变化信号的功率放大;
- 四通道 RGB 控制, 每路最大 5 安培;
- 接受 PWM(脉宽调制)控制;
- 可适用各种 LED 模块;
- 多个功率放大器串接, 理论上可接无限多 LED 模块。

## 产品规格:

电源输入	直流 12-24 伏
输入/输出通道数	4
功率输出	12V:240W, 24V:480W
外观尺寸	长 168X 宽 51X 高 22(毫米)
重量	120 克

## 连线示意图:



注:

- ①可接各种单色模组和共阳极连接的全彩+白光模组;
- ②可接全彩+白光模组 200 条, 单色模组 800 条或多只大功率 LED

RP416 V1.1

(根据连接方式)。