

# DALI6000

## Features

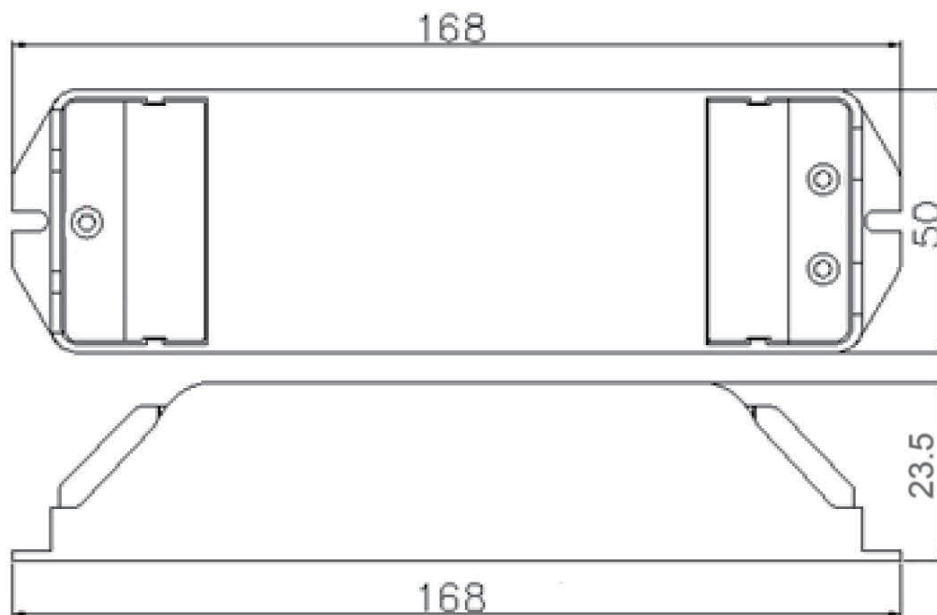
- DALI to 0-10V Converter
- 1 channel 0-10V Analog Signal output
- Drive capability: max 15mA/channel
- Meets DALI protocol IEC62386/IEC60929
- Support automatic addressing and address extensions
- Input Voltage: DC12 -24V
- Security Level: 2 Level



## Technical Parameters

Conversion Channel	1 Channel
Input Voltage	DC12 -24V
Input Signal	DALI Signal
Dimming DALI Protocol	IEC62386/IEC60929
Output Signal	0-10V Analog Signal
Output Current/Each Channel	15mA
Size	L168 X W50 X H23.5 mm
Packing Size	L175 X W57 X H30.5 mm
G.W.(g)	107g
Operating Temperature	-20°C - 50°C

## Dimension



## Connection Diagram



## Installation Notes

- (1) Please read the connection diagram carefully before installation.
- (2) Please use the complete set of product according to the provided specification.
- (3) Please firstly pressure the cap end down in wire connecting, then insert the thread of wire, and lastly check the wire is or not insert firmly.
- (4) Please carefully check whether wiring connection is correct before power on.

# DALI6000

## 产品特点

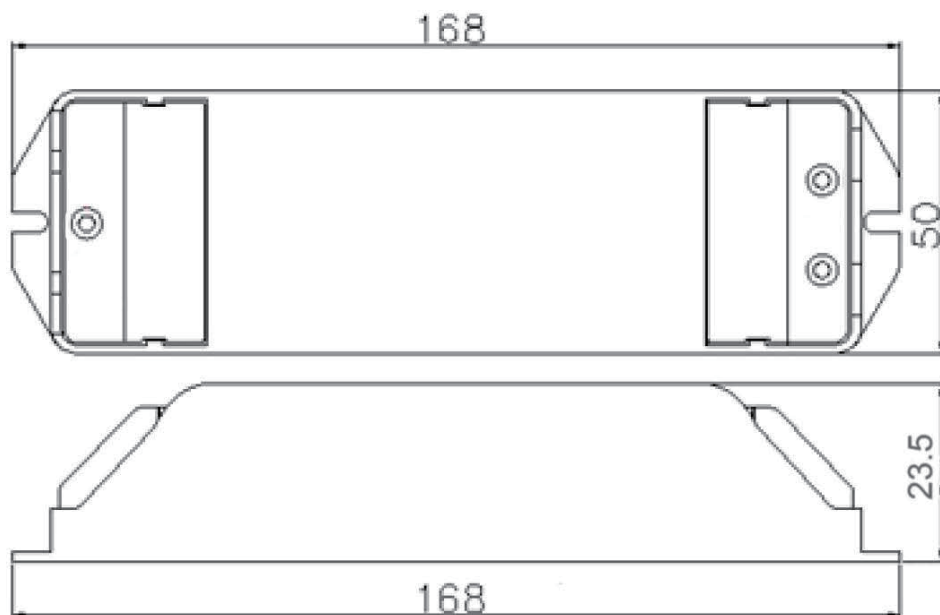
- DALI 转 0 -10V 转换器
- 1 通道 0 -10V 信号输出
- 每通道最大驱动能力 15mA
- 遵循 DALI 协议 IEC62386/IEC60929
- 支持自动寻址和地址扩展功能
- 输入电压范围：DC12 -24V
- 安全等级 2 级



## 技术参数

转换通道数	1 路
输入电压	DC 12 -24V
输入控制信号	DALI 控制信号
调光控制（调光）DALI 协议	IEC62386/IEC60929
输出信号	0 -10V 模拟信号输出
每通道输出电流	15mA
设备尺寸	L168 X W50 X H23.5 mm
包装尺寸	L175 X W57 X H30.5 mm
毛重量	107g
环境温度	-20°C - 50°C

## 尺寸图



## 连接示意图



## 产品安装注意事项

- (1) 安装前请仔细看产品接线图
- (2) 请按产品提供线材规格范围配套使用
- (3) 接线过程请将压线帽端压下，再插入线头，接好请检查是否插牢固
- (4) 上电前就仔细检查接线方式是否正确