



## Features:

- For power repeat of synchronous changing signal;
- Single channel control, the max current to 10 A;
- Accepts PWM control;
- Match with many kinds of LED modules;
- Theoretically we can connect limitless LED modules by connecting the repeaters in series.

## Applications:

- Building Decoration: Business spaces, airports, subway;
- Indoor Decoration: Lighting and back lighting for hospital, hotel, marketplace, square, dining-room, pub and etc;
- AD solid Word, sign and mark, signboard and billboard;
- Be used as big area back lighting source.

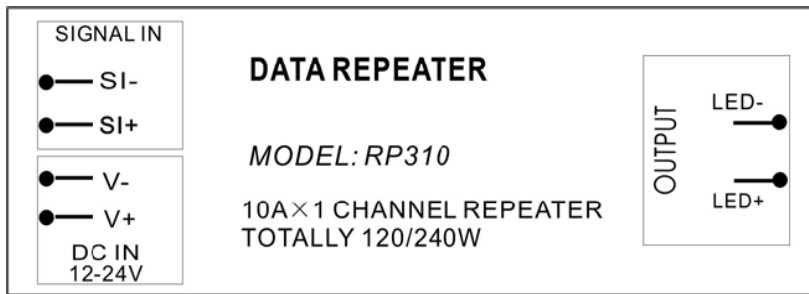
## Product Attributes:

POWER SUPPLY	DC 12-24V
I/O CHANNEL	1
Power out	10A Max, 12V, 120W/24V, 240W
Size	165 (L) X39 (W) X26 (H) mm
Weight	138g

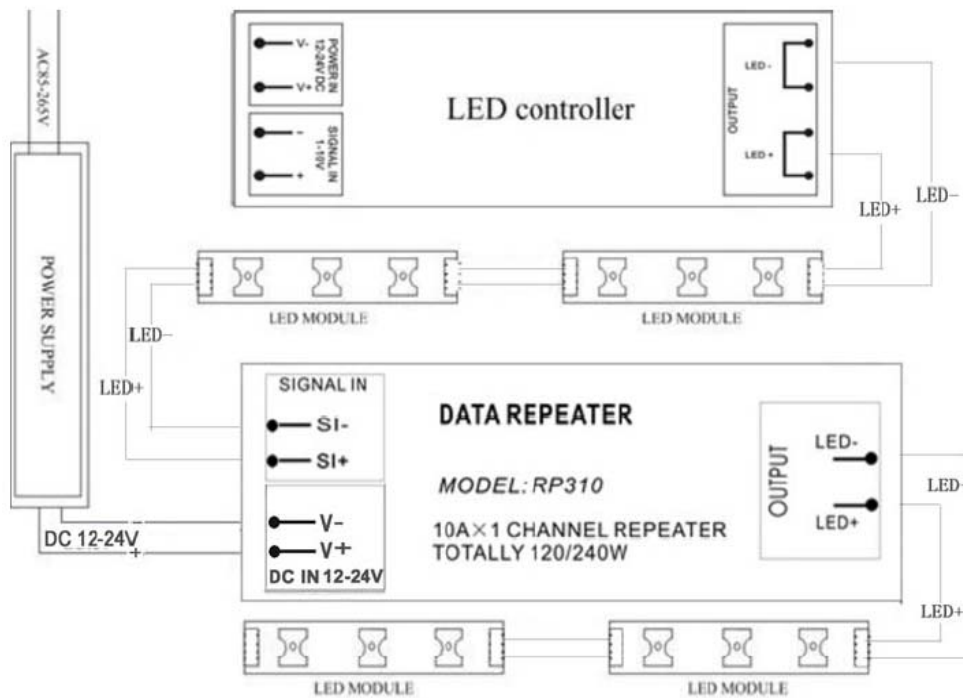
## Panel Surface:

# 1Channel General Power Repeater

RP310



## Wire Connections:



## Remark:

Can control various single color modules.



## 产品特性:

- 用于同步变化信号的功率放大;
- 单通道控制, 最大 10 安培;
- 可接受 PWM(脉宽调制)控制;
- 可适用各种 LED 模块;
- 多个功率放大器串接, 理论上可接无限多 LED 模块。

## 应用场合:

建筑装饰: 商业空间、机场、建筑工程、地铁;

室内装饰: 医院、饭店、百货商场、广场、餐厅、PUB 设计灯光、背景家居装饰;

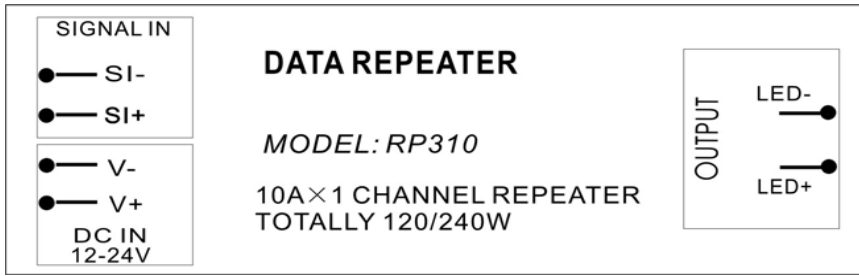
广告立体字、标志标识、招牌、广告灯箱;

作为大面积背光源使用。

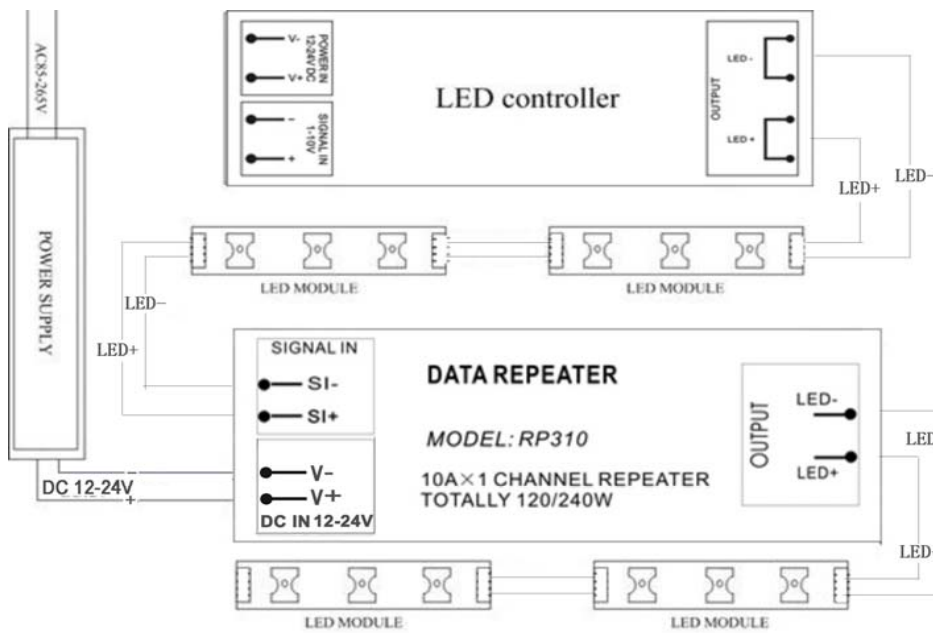
## 产品规格:

电源输入	直流 12-24 伏
输入/出通道数	1
功率输出	10 安培 (最大) ,12V:120W, 24V:240W
外观尺寸	长 165X 宽 39X 高 26(毫米)
重量	138 克

面板外观:



连线示意图:



注:

- ① 可接各种单色模组